

Industrial Panel PC EPC-T213

21.5" Slim High Performance - All in One Panel PC with Intel® Core i5-6200U CPU

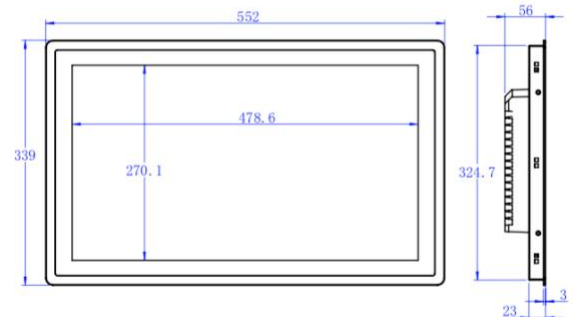
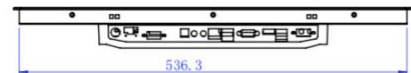
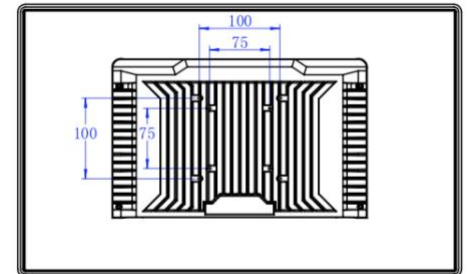
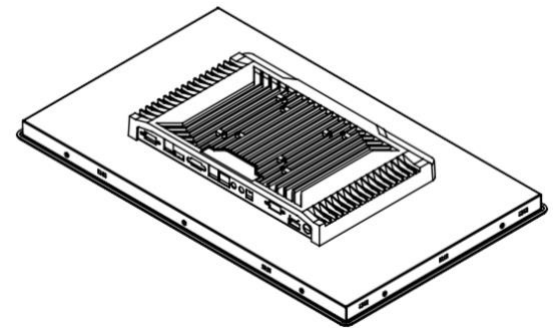
Product Features:

- Intel® Core i5-6200U CPU
- Supports Multi-Touch
- Flat Front Panel with IP66 Design
- Resistive Touch or Projected Capacitive Touch
- High Brightness 1000/1500 nits (optional)



Product Specifications:

Mechanical	Model Name	EPC-T213
	Display Type	21.5" TFT-LCD
	Max Resolution	1920 x 1080
System	Processor	Intel® Core i5-6200U
	Chipset	Intel®
	Memory	DDR3L 4GB Max. 16GB
	IDE/SATA	1 x 2.5" SATA HDD Bay
	Luminance/ Color	400cd/m ² , 16.7m 1000/1500 optional
Input / Output	USB Port	3 x USB
	Ethernet	2 x GbE LAN RJ-45
	HDMI	1 x HDMI
	VGA	1 x VGA
	COM	3 x DB-9 RS-232
	Audio	1 x Line out, 1 x Lin In.
	View Angle	H: 178° / V:178°
Power	Power Input	DC 12~30V
Environment	Operating Temperature	-10° to 60°C
	Storage Temperature	-20° to 60°C
	Wi-Fi / Bluetooth	(Options)
OS Support	Windows 10 Pro, Linux	
	Standard Color	Black
	Construction	Aluminum alloy bezel and chassis
	Mounting	Panel, VESA 75x75mm or 100x100mm
	IP Rating	IP65 compliant front panel
	Dimensions	552mm (W) x 56mm (D) x 339mm (H)
	Weight	22 lbs.
	Certification	CE/FCC Class A



Note: All Specifications are subject to change without prior notice.